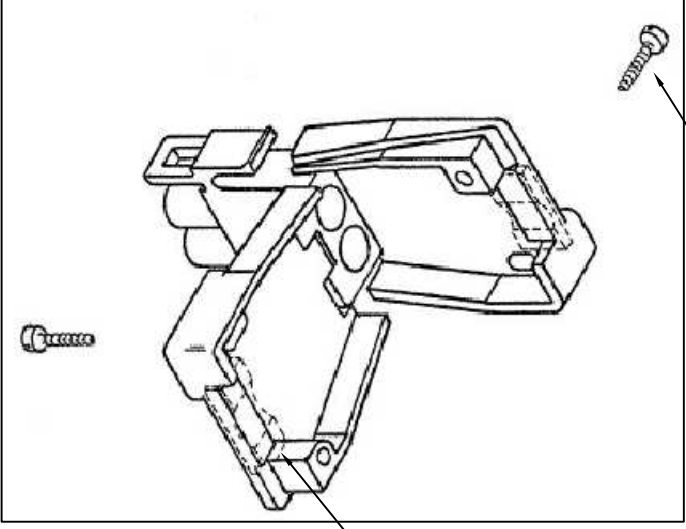


- 1 SHEET METAL SCREWS NOT SUPPLIED
- 2 INSERT IS ATTACHED TO STRAIN RELIEF, AS AN ADDITIONAL ADJUSTMENT FOR SMALL WIRE BUNDLES, IT SHOULD BE CUT-OFF AND POSITIONED AS SHOWN BY DOTTED LINES.
- 3 TWO REQUIRED PER CONNECTOR
- 4 STYLE 2 DOES NOT INCLUDE INSERT.
- 5 DETACHABLE INSERT MAY SEPARATE FROM STRAIN RELIEF BODY DURING SHIPPING.

(2 REQ'D) #6 X .375 LONG, TYPE '8'
 PAN HEAD SHEET METAL SCREW



STYLE 1

STYLE 2

REV	DATE	DESCRIPTION	BY	CHK	APP
E1		REMOVED PER ESR-13-017009			

DIMENSIONS: INCHES		DIMENSIONS: MILLIMETERS	
0 P/C	± .005	0 P/C	± .127
1 P/C	± .005	1 P/C	± .127
2 P/C	± .005	2 P/C	± .127
3 P/C	± .010	3 P/C	± .254
4 P/C	± .010	4 P/C	± .254
5 P/C	± .010	5 P/C	± .254
6 P/C	± .010	6 P/C	± .254
7 P/C	± .010	7 P/C	± .254
8 P/C	± .010	8 P/C	± .254
9 P/C	± .010	9 P/C	± .254
10 P/C	± .010	10 P/C	± .254
11 P/C	± .010	11 P/C	± .254
12 P/C	± .010	12 P/C	± .254
13 P/C	± .010	13 P/C	± .254
14 P/C	± .010	14 P/C	± .254
15 P/C	± .010	15 P/C	± .254
16 P/C	± .010	16 P/C	± .254
17 P/C	± .010	17 P/C	± .254
18 P/C	± .010	18 P/C	± .254
19 P/C	± .010	19 P/C	± .254
20 P/C	± .010	20 P/C	± .254
21 P/C	± .010	21 P/C	± .254
22 P/C	± .010	22 P/C	± .254
23 P/C	± .010	23 P/C	± .254
24 P/C	± .010	24 P/C	± .254
25 P/C	± .010	25 P/C	± .254
26 P/C	± .010	26 P/C	± .254
27 P/C	± .010	27 P/C	± .254
28 P/C	± .010	28 P/C	± .254
29 P/C	± .010	29 P/C	± .254
30 P/C	± .010	30 P/C	± .254
31 P/C	± .010	31 P/C	± .254
32 P/C	± .010	32 P/C	± .254
33 P/C	± .010	33 P/C	± .254
34 P/C	± .010	34 P/C	± .254
35 P/C	± .010	35 P/C	± .254
36 P/C	± .010	36 P/C	± .254
37 P/C	± .010	37 P/C	± .254
38 P/C	± .010	38 P/C	± .254
39 P/C	± .010	39 P/C	± .254
40 P/C	± .010	40 P/C	± .254
41 P/C	± .010	41 P/C	± .254
42 P/C	± .010	42 P/C	± .254
43 P/C	± .010	43 P/C	± .254
44 P/C	± .010	44 P/C	± .254
45 P/C	± .010	45 P/C	± .254
46 P/C	± .010	46 P/C	± .254
47 P/C	± .010	47 P/C	± .254
48 P/C	± .010	48 P/C	± .254
49 P/C	± .010	49 P/C	± .254
50 P/C	± .010	50 P/C	± .254
51 P/C	± .010	51 P/C	± .254
52 P/C	± .010	52 P/C	± .254
53 P/C	± .010	53 P/C	± .254
54 P/C	± .010	54 P/C	± .254
55 P/C	± .010	55 P/C	± .254
56 P/C	± .010	56 P/C	± .254
57 P/C	± .010	57 P/C	± .254
58 P/C	± .010	58 P/C	± .254
59 P/C	± .010	59 P/C	± .254
60 P/C	± .010	60 P/C	± .254
61 P/C	± .010	61 P/C	± .254
62 P/C	± .010	62 P/C	± .254
63 P/C	± .010	63 P/C	± .254
64 P/C	± .010	64 P/C	± .254
65 P/C	± .010	65 P/C	± .254
66 P/C	± .010	66 P/C	± .254
67 P/C	± .010	67 P/C	± .254
68 P/C	± .010	68 P/C	± .254
69 P/C	± .010	69 P/C	± .254
70 P/C	± .010	70 P/C	± .254
71 P/C	± .010	71 P/C	± .254
72 P/C	± .010	72 P/C	± .254
73 P/C	± .010	73 P/C	± .254
74 P/C	± .010	74 P/C	± .254
75 P/C	± .010	75 P/C	± .254
76 P/C	± .010	76 P/C	± .254
77 P/C	± .010	77 P/C	± .254
78 P/C	± .010	78 P/C	± .254
79 P/C	± .010	79 P/C	± .254
80 P/C	± .010	80 P/C	± .254
81 P/C	± .010	81 P/C	± .254
82 P/C	± .010	82 P/C	± .254
83 P/C	± .010	83 P/C	± .254
84 P/C	± .010	84 P/C	± .254
85 P/C	± .010	85 P/C	± .254
86 P/C	± .010	86 P/C	± .254
87 P/C	± .010	87 P/C	± .254
88 P/C	± .010	88 P/C	± .254
89 P/C	± .010	89 P/C	± .254
90 P/C	± .010	90 P/C	± .254
91 P/C	± .010	91 P/C	± .254
92 P/C	± .010	92 P/C	± .254
93 P/C	± .010	93 P/C	± .254
94 P/C	± .010	94 P/C	± .254
95 P/C	± .010	95 P/C	± .254
96 P/C	± .010	96 P/C	± .254
97 P/C	± .010	97 P/C	± .254
98 P/C	± .010	98 P/C	± .254
99 P/C	± .010	99 P/C	± .254
100 P/C	± .010	100 P/C	± .254